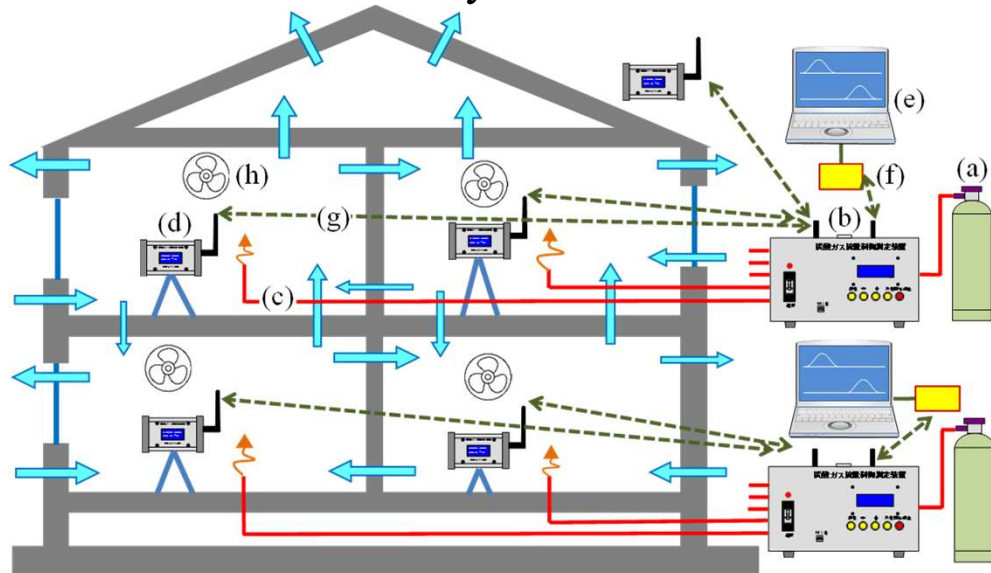


Experiment for operational confirmation of on-site ventilation measurement system for multi-chamber buildings

Multi-chamber Airflow rates measurement system



Measuring device for CO2 concentration and temperature/humidity



Control/measurement/recording PC



CO2 cylinder and mass flow control box



Indoor air stirring fan



Prototyped by support from Grants-in-Aid for Scientific Research

3LDK, 4th floor, Apartment complex in Yokohama:
Floor area 66m², interior volume 138m³



Measurement date and time is April 22, 2019,
from 11:30 to 16:45

